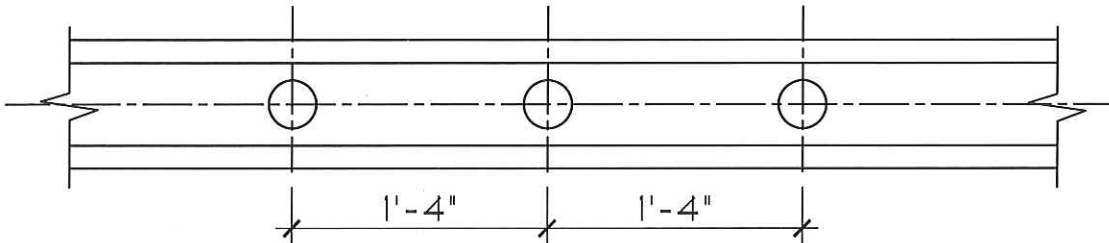


Lott's Concrete

"EXCEEDING PRECAST STANDARDS SINCE 1963"

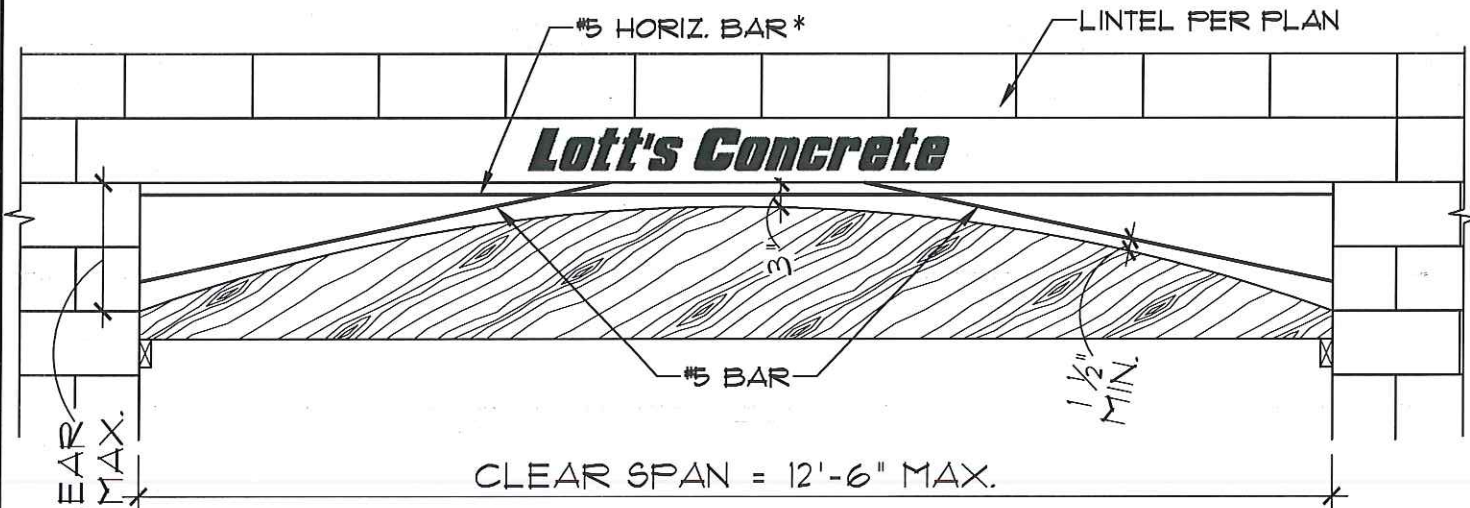
429 N. Hennis Rd. Winter Garden, FL 34787

407-656-2112 www.lottsconcrete.com



PROVIDE 3" DIA. HOLES SYMMETRICALLY AT 16" ON CENTER. 3" DIA. HOLES IN BOTTOM OF LINTEL CAN BE PRE-FABRICATED BY THE MANUFACTURER OR FIELD MODIFICATION (I.E. USING A 3" ROUND DRY CONCRETE CORE BIT)

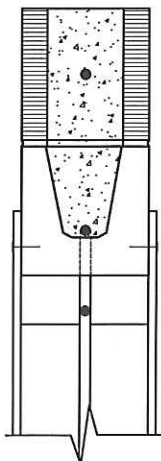
STEP 1



CLEAR SPAN = 12'-6" MAX.

CORE JAMBS, PLACE REBAR AND BOTTOM FORM
 * #5 HORIZ. BAR IS NOT NEEDED IF TOP OF ARCH IS
 LESS THAN 3" FROM THE BOTTOM OF THE LINTEL

STEP 2




NOTE:
 PROCEDURE APPLIES TO MASONRY
 OPENINGS UP TO 12'-6"
 ‡ THE GRAVITY SAFE WORKING LOAD
 SHALL BE REDUCED BY THE DEAD
 WEIGHT OF THE CONCRETE ARCH



ADD SIDE FORMS AND POUR GROUT. SLUMP
 GROUT 8 TO 11 INCHES AND ROD OR VIBRATE

STEP 3

 P.O. BOX 3400 Apollo Beach, Florida 33572 p. 813.645.0166 f. 813.645.9698 www.danscoengineering.com	REVISION: DATE DESCRIPTION	SHEET TITLE: ARCH OPENING DETAILS
	CA 25948 <input type="checkbox"/> SAMUEL A. GREENBERG, P.E. #34245 <input checked="" type="checkbox"/> THUY H. HUYNH, P.E. #60122	SHEET INFORMATION: JOB NO.: 320046-WB DATE ISSUED: 11.21.13 DRAWN BY: TJH REVIEWED BY: TH

SK1 OF 1